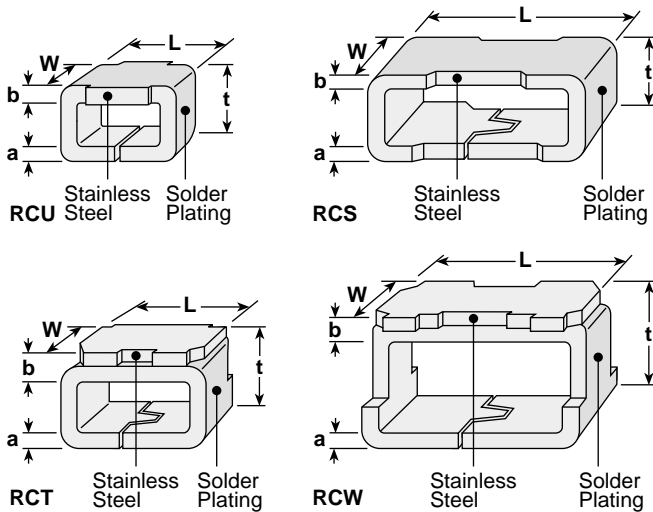




### features

- Surface-mountable chip type test terminal
- Automatic machine insertable
- Suitable for reflow and wave soldering
- Available in three standard sizes: 0603, 0805 or 1206

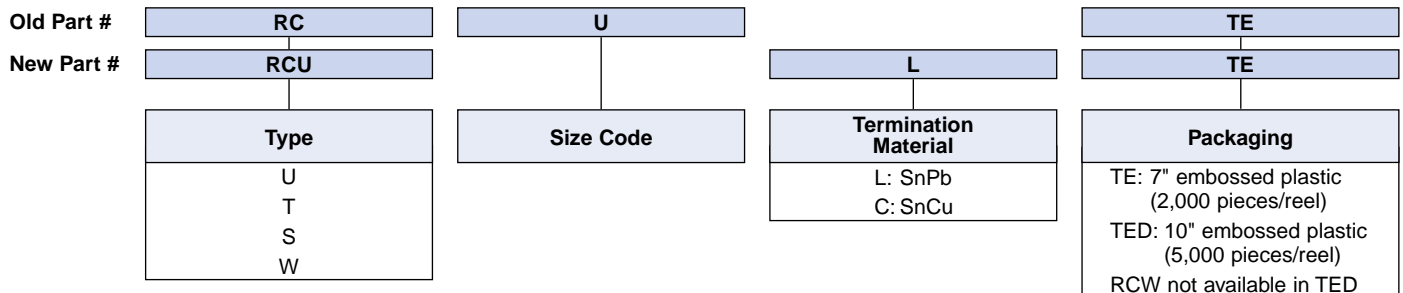
### dimensions and construction



Type (Inch Size Code)	Dimensions inches (mm)				
	L	W	t	a	b
<b>RCU (0603)</b>	.063 (1.6)	.031 (0.8)	.045 (1.15)	.009 (0.23)	.009 (0.23)
<b>RCT (0805)</b>	.079 (2.0)	.049 (1.25)	.057 (1.45)	.009 (0.23)	.018 (0.45)
<b>RCS (1206)</b>	.126 (3.2)	.063 (1.6)	.049 (1.25)	.008 (0.2)	.008 (0.2)
<b>RCW (1206)</b>			.079 (2.0)	.009 (0.23)	.018 (0.45)

Note: Top surfaces of RCT and RCW are not solderable.

### ordering information



For further information on packaging, please refer to Appendix A.

## applications and ratings

Part Designation	Rated Current	Standard Resistance	Rated Ambient Temperature	Operating Temperature Range
RCU	2 Amps	Less than 50mΩ	+70°C	-55°C to +125°C
RCT				
RCS				
RCW				

## environmental applications

### Performance Characteristics

Parameter	Requirement $\Delta R$		Test Method
	Limit	Typical	
Resistance	50mΩ Max. after the test	10mΩ Max. after the test	25°C
Overload			Rated voltage x 2.5 or max. overload voltage for 5 seconds, whichever is less
Resistance to Solder Heat			260°C ± 5°C, 10 seconds ± 1 second
Rapid Change of Temperature			-55°C (30 minutes), +125°C (30 minutes), 100 cycles
Moisture Resistance	100mΩ Max. after the test		40°C ± 2°C, 90 - 95% RH, 1000 hours, 1.5 hr ON, 0.5 hr OFF cycle
Endurance at 70°C			70°C ± 2°C, 1000 hours, 1.5 hr ON, 0.5 hr OFF cycle
Low Temperature Operation	50mΩ Max. after the test		-55°C, 1 hour
High Temperature Exposure			+125°C, 100 hours